

# Product Specifications

## 70ESN130ND6

**INLINE CORDED NUTRUNNER**  
31 - 124 Nm (22.8 – 91.4 ft-lbs)

**INLINE - 70 SERIES**

The NeoTek™ fastening system is the next generation of smart tool solutions. The lightweight, ergonomic design along with fully programmable features such as the high-output LED light rings, audible alerts, and handle vibration all create a better user experience that leads to decreased operator fatigue and increased productivity.

## FEATURES

- 1 million cycles maintenance-free\*
- Repeatability & accuracy with 2.0 Cm/Cmk at +/- 7%
- 21% lighter (tool/cable system) than existing tool family
- Digital communication for reliable performance
- Internal temperature monitoring
- Configurable LED light rings
- Data logging with on-board tool memory
- Preventive maintenance alerts

## SPECIFICATIONS

### TORQUE RANGE (Nm)

Min / Max: 31 / 124

### TORQUE RANGE (ft-lb)

Min / Max: 22.8 / 91.4

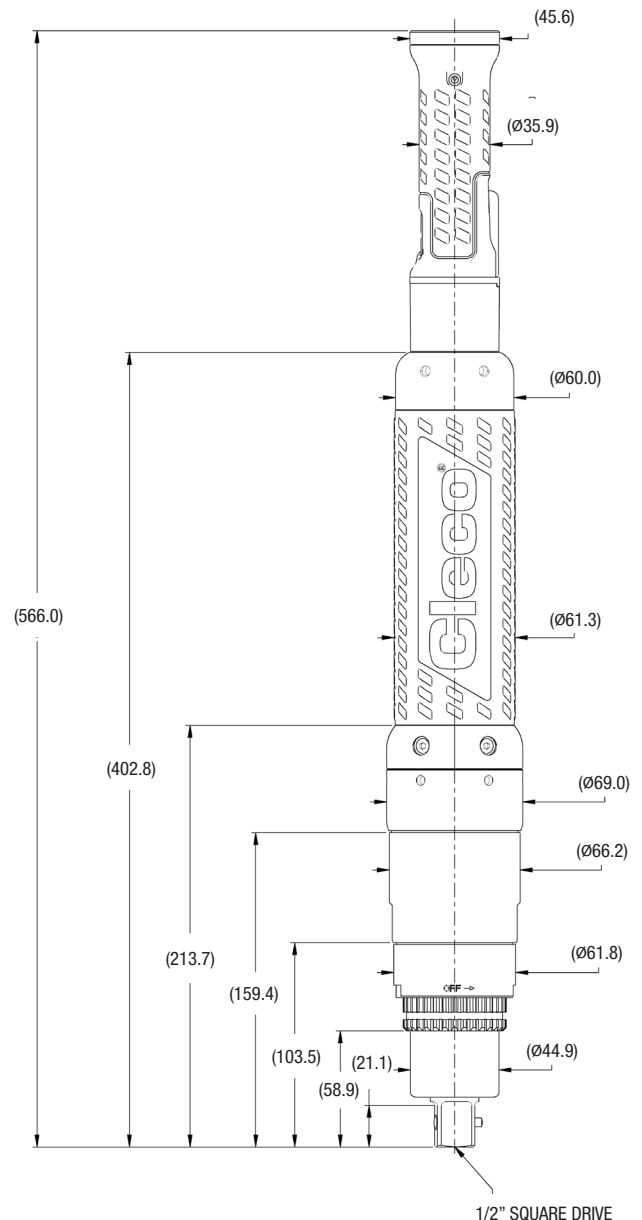
### SPEED

r/min: 1,000

### WEIGHT & DIMENSIONS

Weight 5.20 kg / 11.46 lb  
Length 566 mm / 22.28 in  
Side to Center 33.1 mm / 1.30 in  
Output Drive 3/4" Sq. Drive

Country of Origin: Assembled in USA



1/2" SQUARE DRIVE

**Apex Tool Group, LLC**

Phone: +1 (800) 845-5629

Phone: +1 (919) 387-0099

Phone: +49 (0)7363 81-0

www.ClecoTools.com / www.ClecoTools.de

\*based on recommended tool model torque range and clockwise rotation